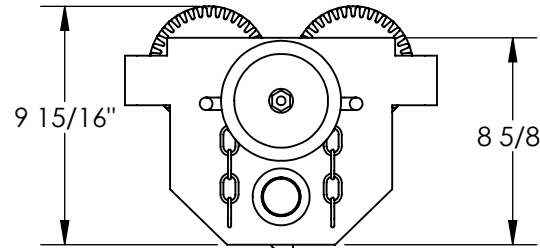
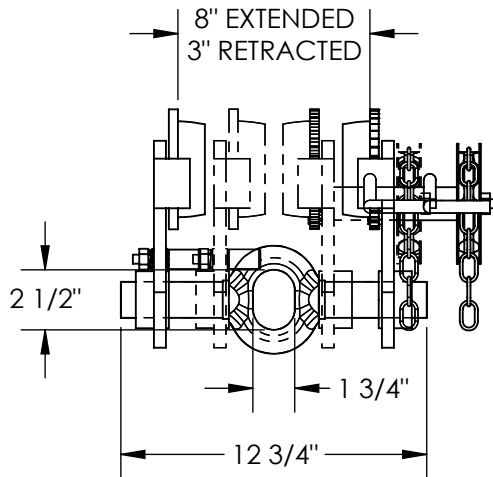
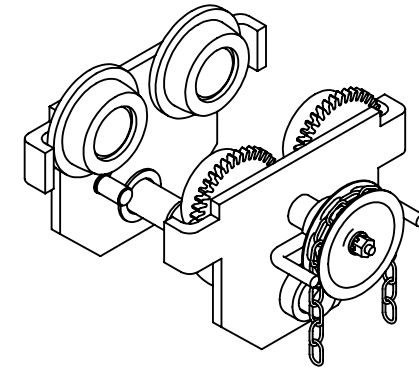
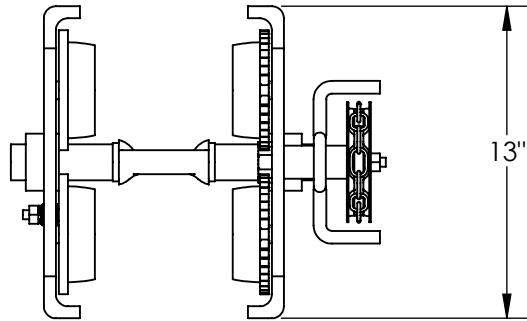


GEARED EYE MANUAL TROLLEY- E-MT-6-C

APPROX WEIGHT: 59.52 lbs.
 DOES NOT INCLUDE WEIGHT OF POWER OR PACKAGING!!!

*** ANY ADDITIONS, DELETIONS, OR OMISSIONS MUST BE CORRECTED ON THIS DRAWING AS THIS DRAWING WILL BE CONSIDERED ALL INCLUSIVE ***

ALL GRAPHICS PROVIDED ARE FOR REFERENCE ONLY. IF CERTAIN DIMENSIONS ARE CRITICAL PLEASE VERIFY THOSE DIMENSIONS WITH YOUR SALESPERSON



DIMENSION TOLERANCE $\pm 1/4$ "

I, THE UNDERSIGNED, AGREE THAT THE PRODUCT AS REPRESENTED SATISFIES DESIGN AND DIMENSION REQUIREMENTS. I ALSO ACKNOWLEDGE MY DUTY TO CONFIRM PRODUCT AND INSTALLATION COMPLIANCE WITH ALL APPLICABLE FEDERAL, STATE AND LOCAL REGULATIONS AND STANDARDS.

ANY MODIFIED UNITS ARE NON-RETURNABLE

As drawn As marked

Signed: _____ Date: _____

Printed Name: _____

LEAD TIME WILL START UPON RECEIPT OF SIGNED APPROVAL DRAWING

APPROVAL

NOTE:
 CAN BE USED ON S, H, W, & M
 TYPE I-BEAMS

SPECIAL FEATURES

NONE

STANDARD FEATURES

- MODEL NUMBER IS E-MT-6-C
- EYE MANUAL TROLLEY
- GEARED LOW PROFILE
- HEADROOM: 7 3/8"
- OVERALL WIDTH IS 12 3/4"
- OVERALL LENGTH IS 13"
- OVERALL HEIGHT IS 9 15/16"
- MAX CAPACITY IS 6,000 LBS
- FITS BEAM FLANGE OF 3" TO 8"
- STEEL CONSTRUCTION WITH PAINTED FINISH
- TROLLEY WIDTH IS ADJUSTED BY ROTATING CENTER ROD

| | |
|---|--|
| FOR INTERNAL USE ONLY PROJECT SIGN OFF | |
| SALES | |
| ENG. | |
| FAB. | |
| POWER | |

| | | |
|----------------------|--------------|------------|
| DISTRIBUTOR'S NAME: | | P.O.# |
| VESTIL MANUFACTURING | | X |
| W.O.# | | X |
| DRAWN BY: WHR | DATE: 6/6/12 | SALES: X |
| REFERENCE: X | SCALE: 1:8 | FILE NAME: |
| QUOTED LEAD TIME: X | QUOTE # X | 30-007-261 |